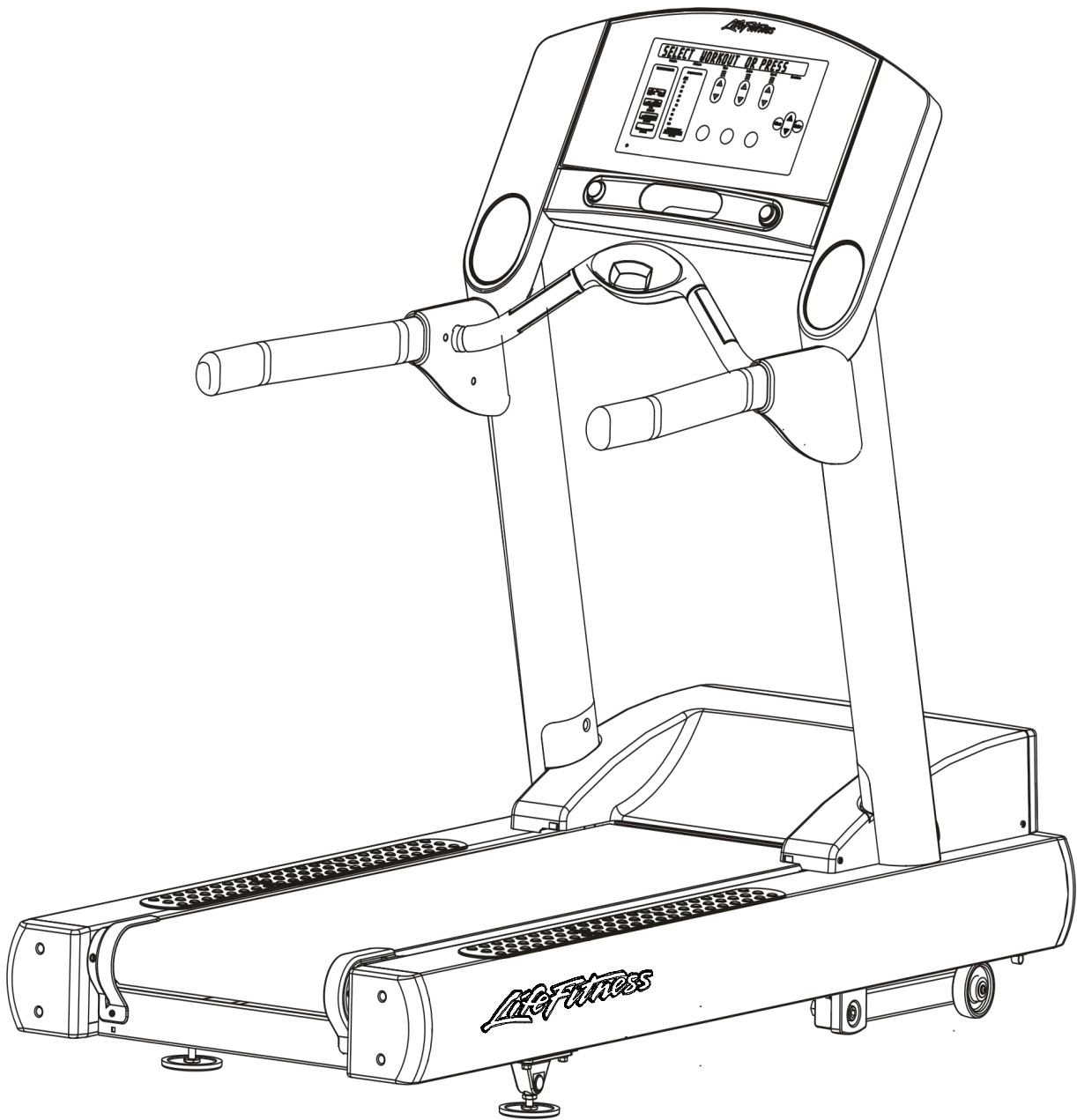


Life Fitness

Arctic Silver 93TW ROHR Treadmill



Customer Support Services
PARTS MANUAL rev. 10/28/05

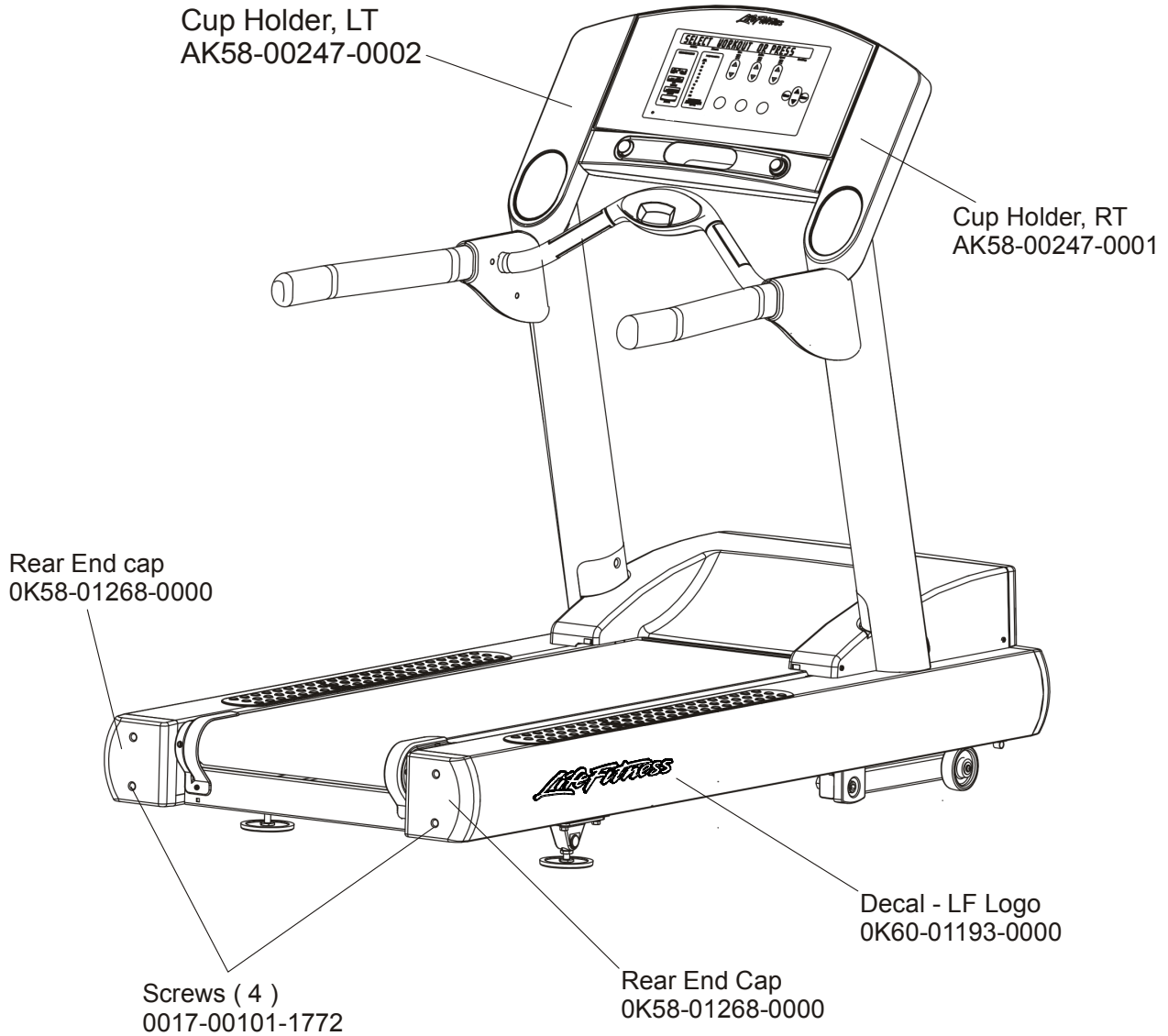
| | |
|---|---|
| OPERATION MANUAL | M051-00K58-A215 |
| SERVICE MANUAL | M051-00K58-A159 |
| HARDWARE BAG | AK58-00227-0000 |
| ACCESS-PLATE ASSY. ASSEMBLY INCLUDES: 1) CONNECTOR PLATE 2) F TYPE CONNECTOR | AK58-00329-0000 0K58-01392-0000 0017-00021-2846 |
| TOUCH UP PAINT: SPRAY CAN .5 OZ BOTTLE W/APPLICATOR .33 OZ PEN | 0017-00008-0204 0017-00008-0205 0017-00008-0206 |
| INSTALLATION VIDEO | M051-00K58-A098 |
| SERVICE VIDEO | M051-00K58-A099 |
| OPERATION MANUAL | M051-00K58-A215 |

**NOTE: ADDING THE BOLT-ON LCD SCREEN TO THE
93TW-XXXX-04 MAKES THE UNIT A 93TER-XXXX-04**

| | Page |
|---|------|
| REAR ENDCAPS AND CUP HOLDERS | 4 |
| SCUFF PAD, TINSEL AND FRAME TAG BOARD | 5 |
| CONSOLE AND RELATED COMPONENTS..... | 6 |
| UPRIGHTS, HAND RAILS AND ERGO BAR | 7 |
| ERGO BAR WITH LIFE PULSE..... | 8 |
| MOTOR COVER, FRONT COVER AND ENDCAPS | 9 |
| BELT, DECK AND REAR ROLLER..... | 10 |
| LIFT FRAME AND MOTOR | 11 |
| WAX/LIFT ASSEMBLY | 12 |
| MOTOR CONTROLLER ASSEMBLY..... | 13 |
| DRIVE MOTOR ASSEMBLY | 14 |
| IDLER ARM ASSEMBLY AND STATIC BRUSH..... | 15 |
| LEG LEVELER ASSEMBLY | 16 |
| FRONT ROLLER ASSEMBLY..... | 17 |
| POWER COMPONENTS SCHEMATIC 1 | 18 |
| POWER COMPONENTS SCHEMATIC 2 | 19 |
| CABLES..... | 20 |

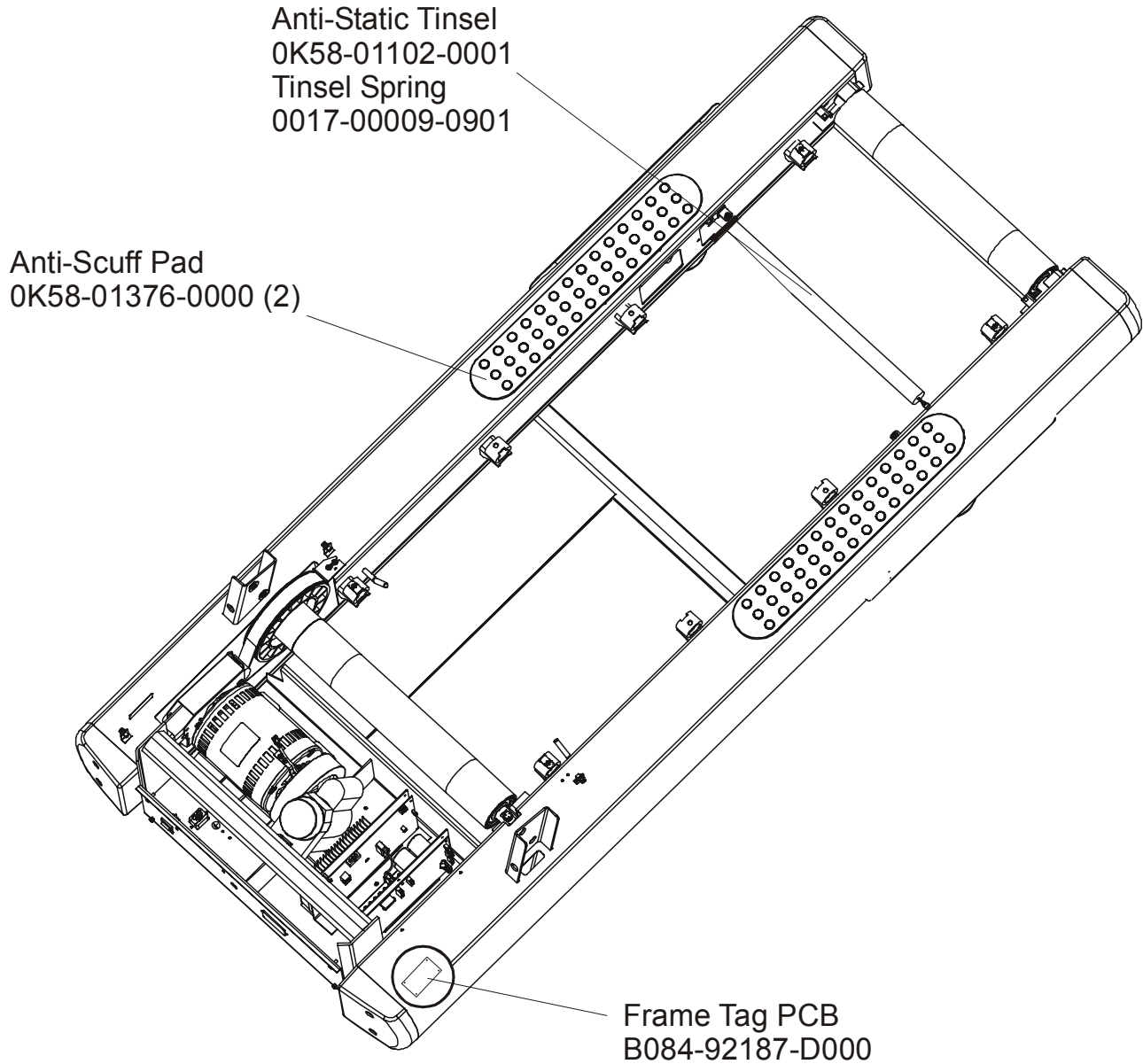
ARCTIC SILVER 93TW ROHR
Rear End Caps and Cup Holders

93TW-0XXX-04
S/N THJ100000 and up



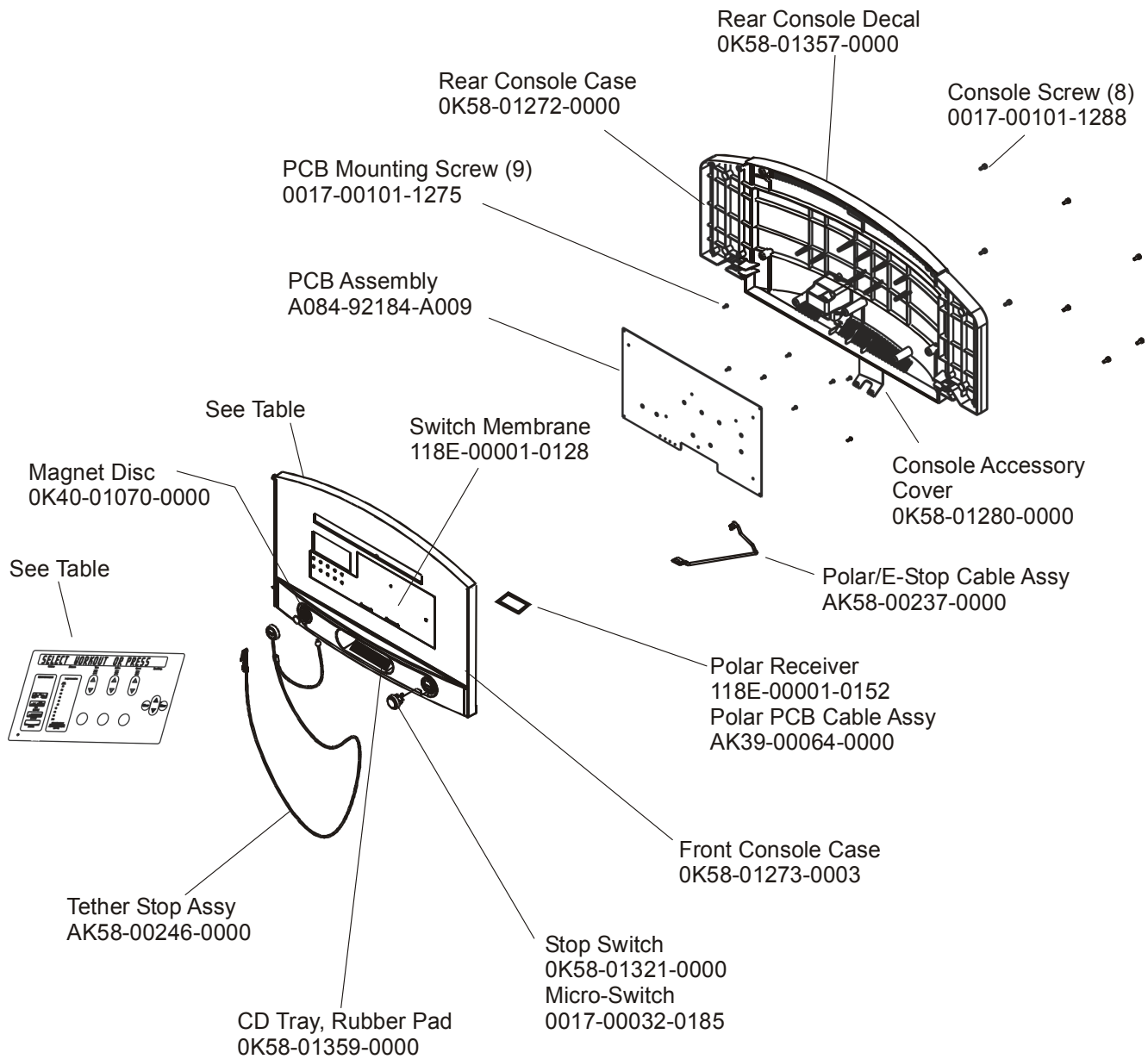
ARCTIC SILVER 93TW ROHR
Scuff Pad, Tinsel and Frame Tag Bd.

93TW-0XXX-04
S/N THJ100000 and up



ARCTIC SILVER 93TW ROHR
Console and Related Components

93TW-0XXX-04
S/N THJ100000 and up

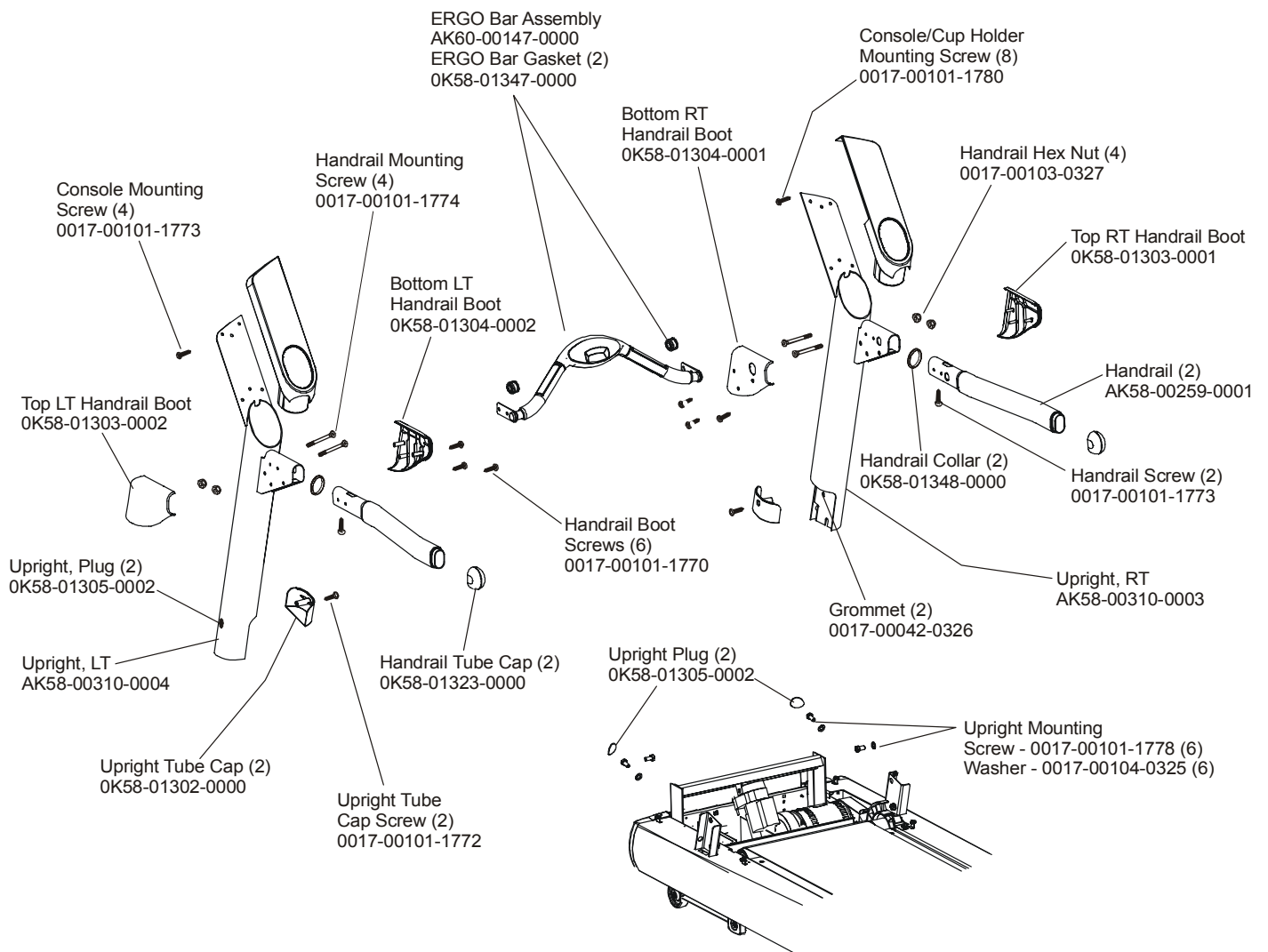


| Console Assembly | Overlay/Bezel/Switch Assy. | Language |
|------------------|----------------------------|----------|
| AK58-00481-0001 | AK58-00526-0001 | Eng/Eng |
| AK58-00481-0002 | AK58-00526-0001 | Eng/Met |
| AK58-00481-0004 | AK58-00526-0004 | Spanish |
| AK58-00481-0007 | AK58-00526-0007 | French |

ARCTIC SILVER 93TW ROHR

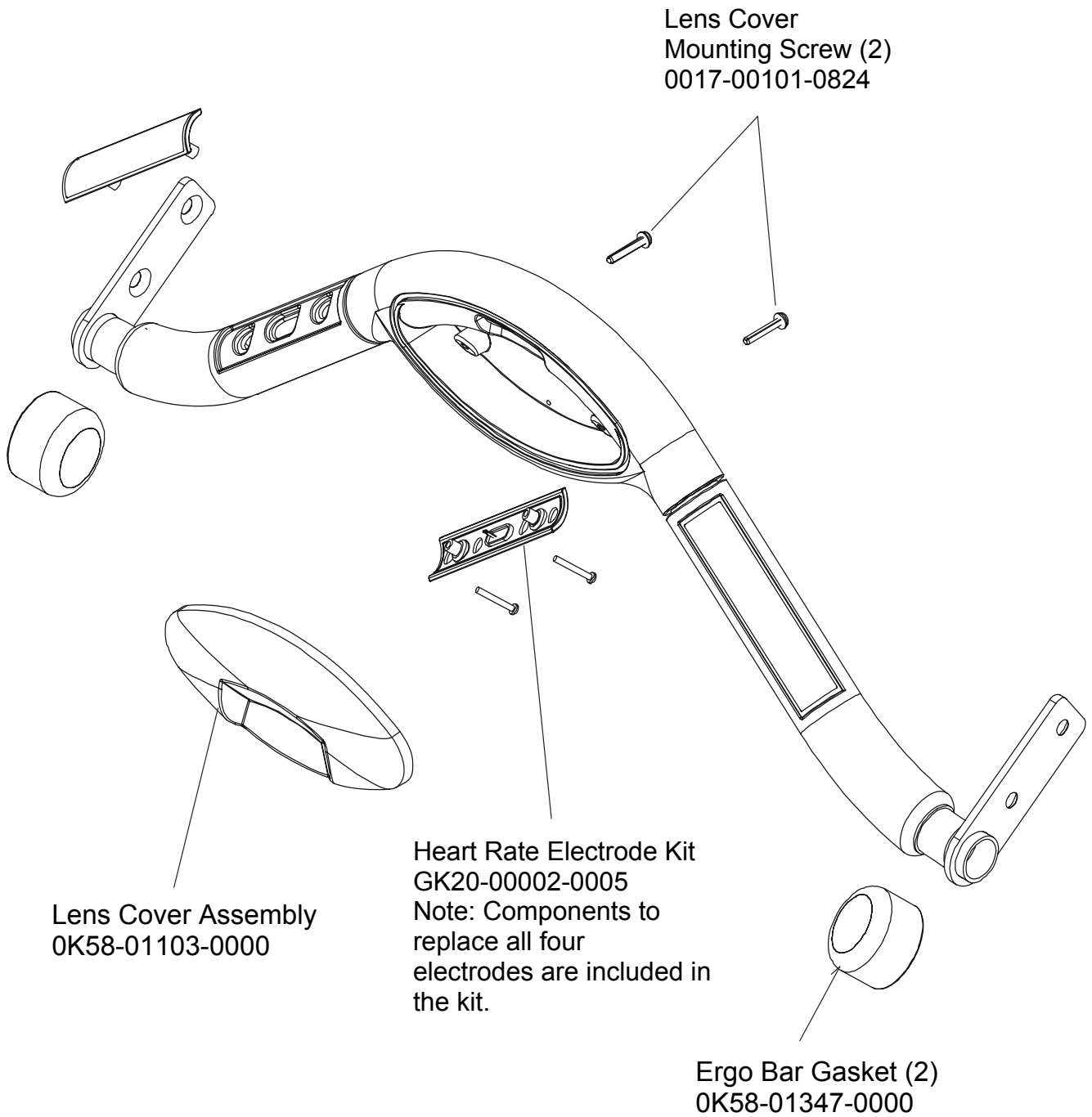
Uprights, Handrails and Ergo Bar

93TW-0XXX-04
S/N THJ100000 and up



ARCTIC SILVER 93TW ROHR
Ergo Bar W/Lifepulse

93TW-0XXX-04
S/N THJ100000 and up

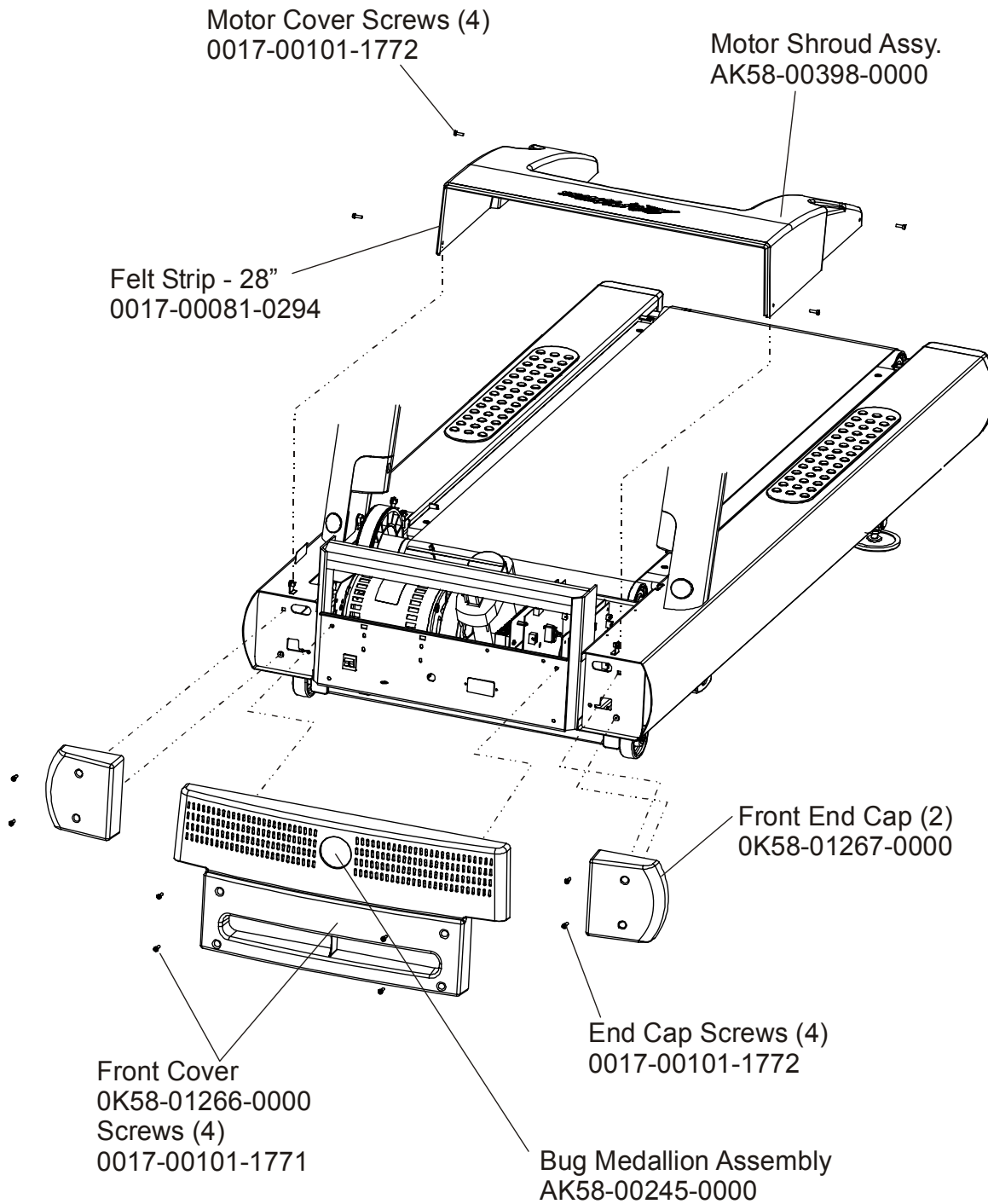


ARCTIC SILVER 93TW ROHR

93TW-0XXX-04

Motor Cover, Front Cover and Front End Caps

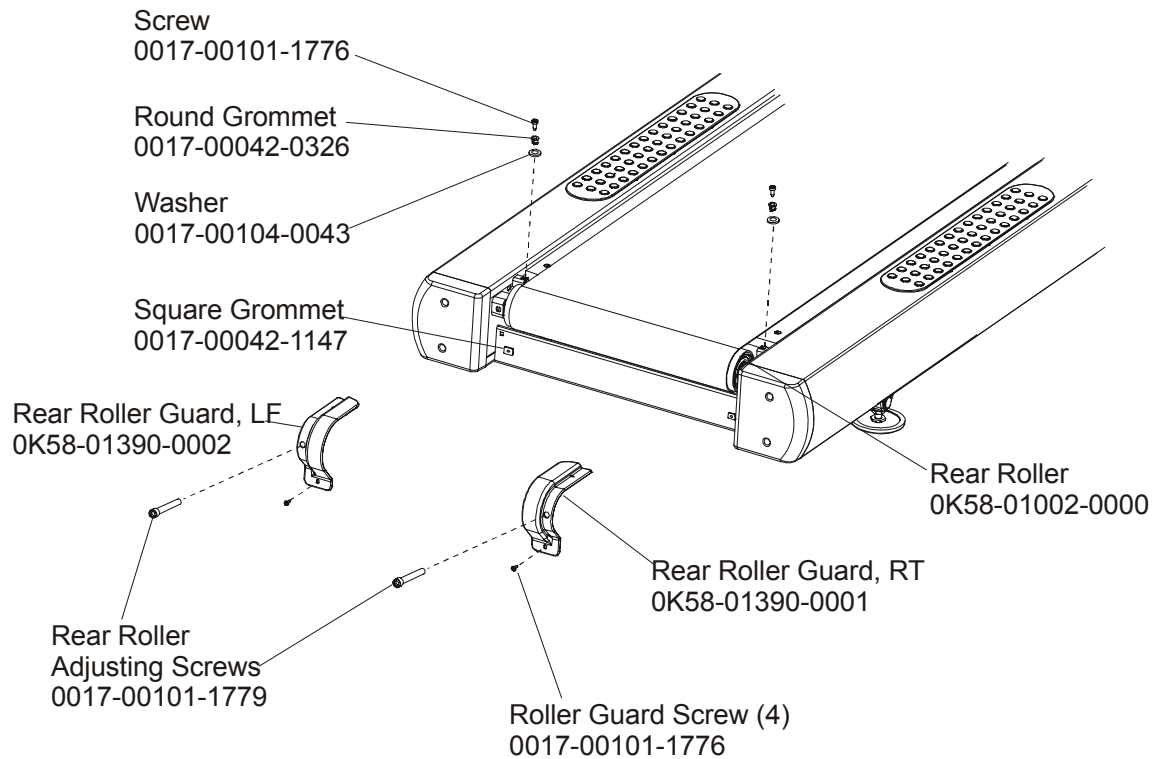
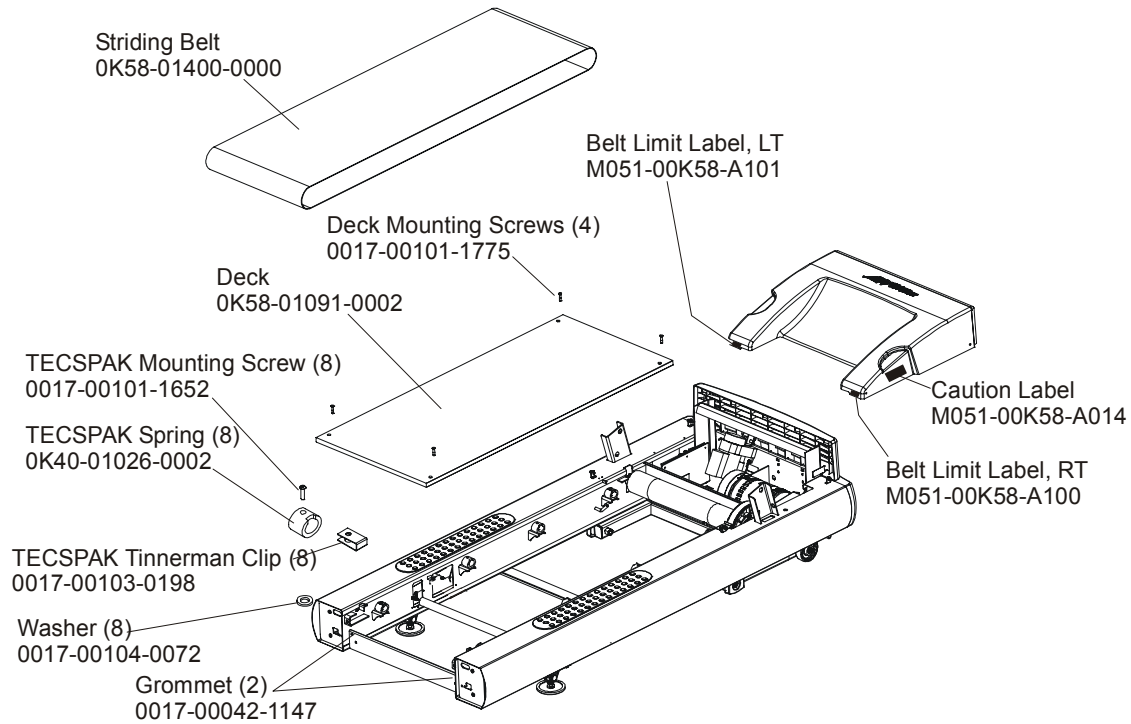
S/N THJ100000 and up



ARCTIC SILVER 93TW ROHR

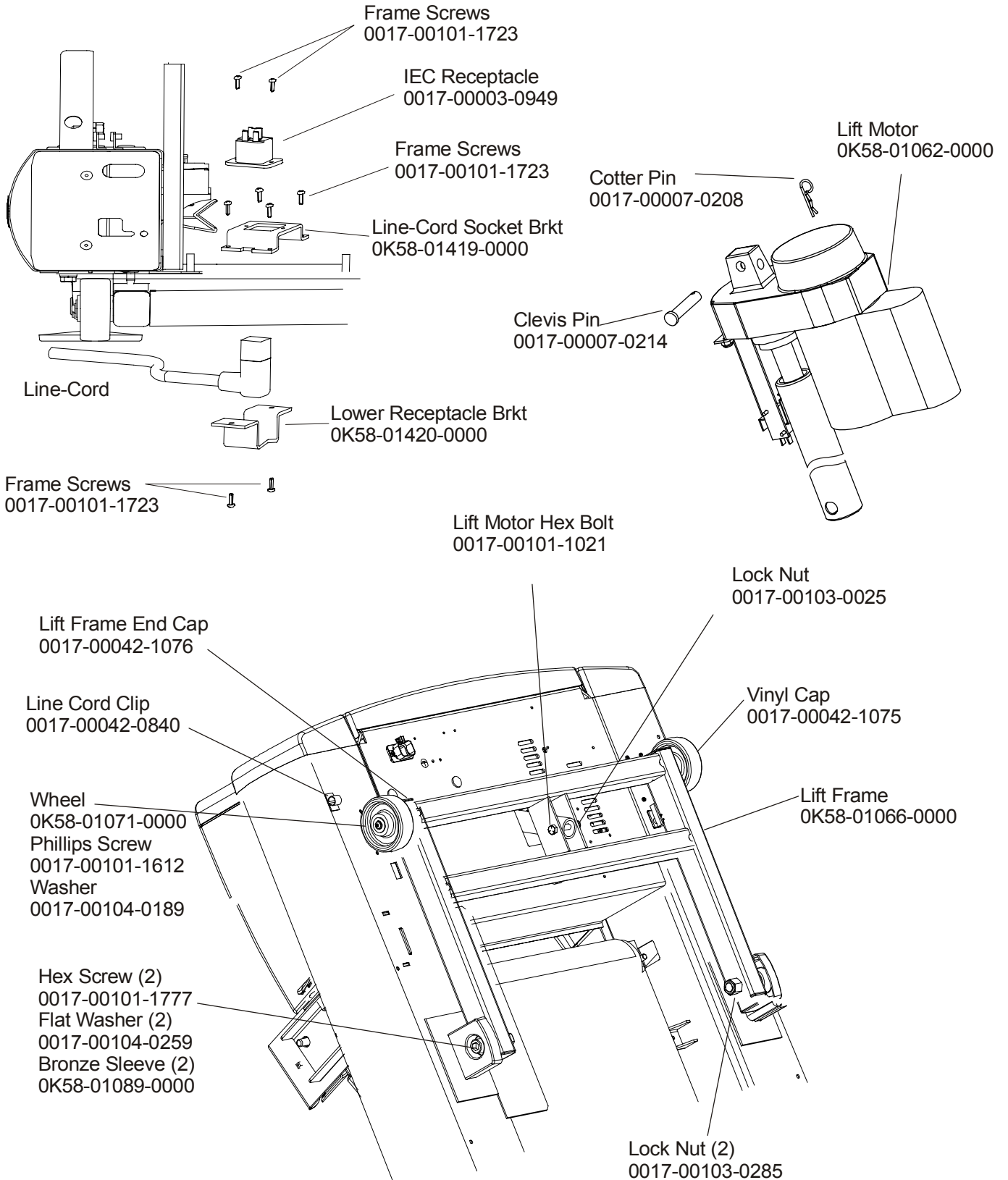
Belt, Deck and Rear Roller

93TW-0XXX-04
S/N THJ100000 and up



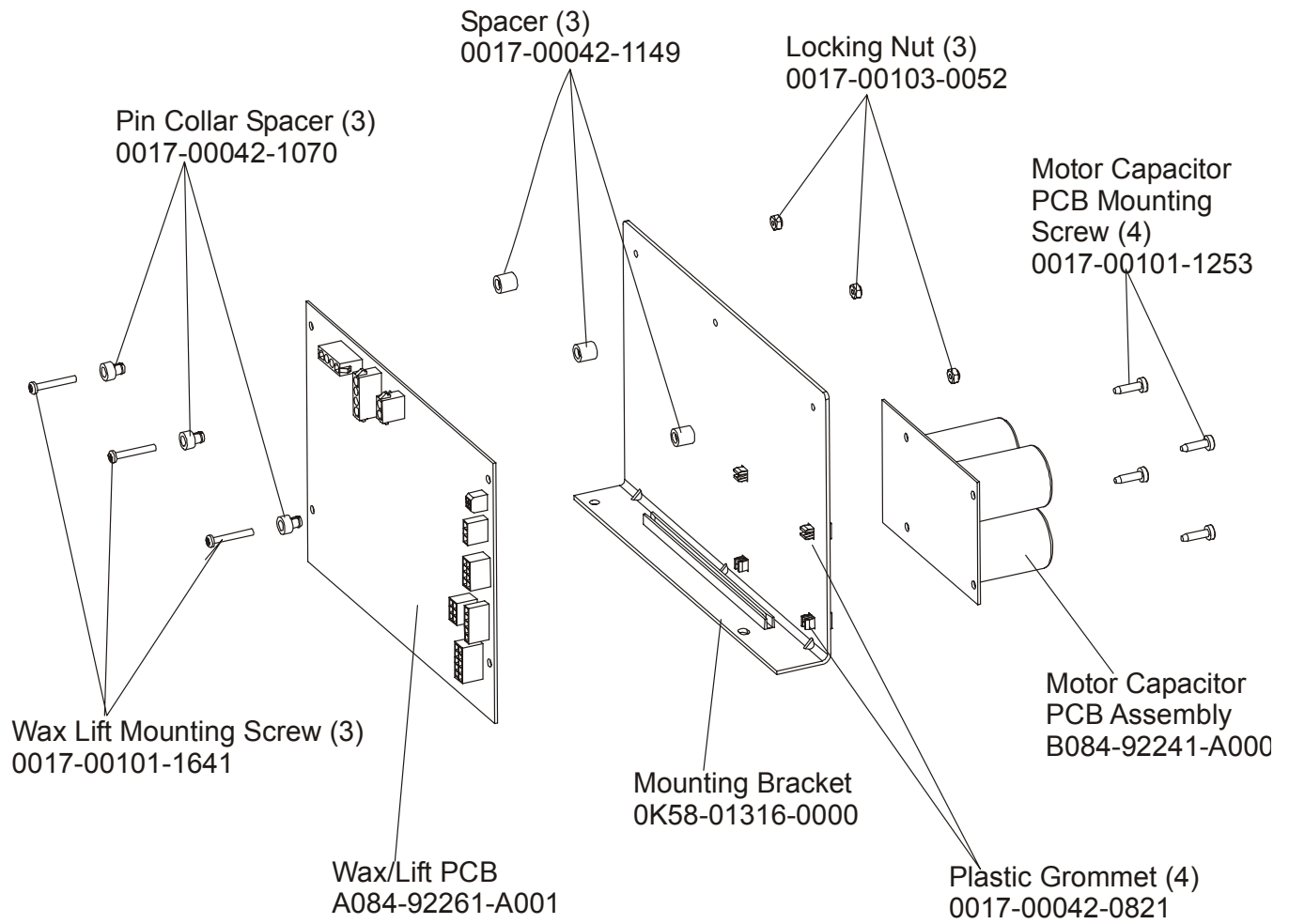
ARCTIC SILVER 93TW ROHR
Lift Frame and Lift Motor

93TW-0XXX-04
S/N THJ100000 and up

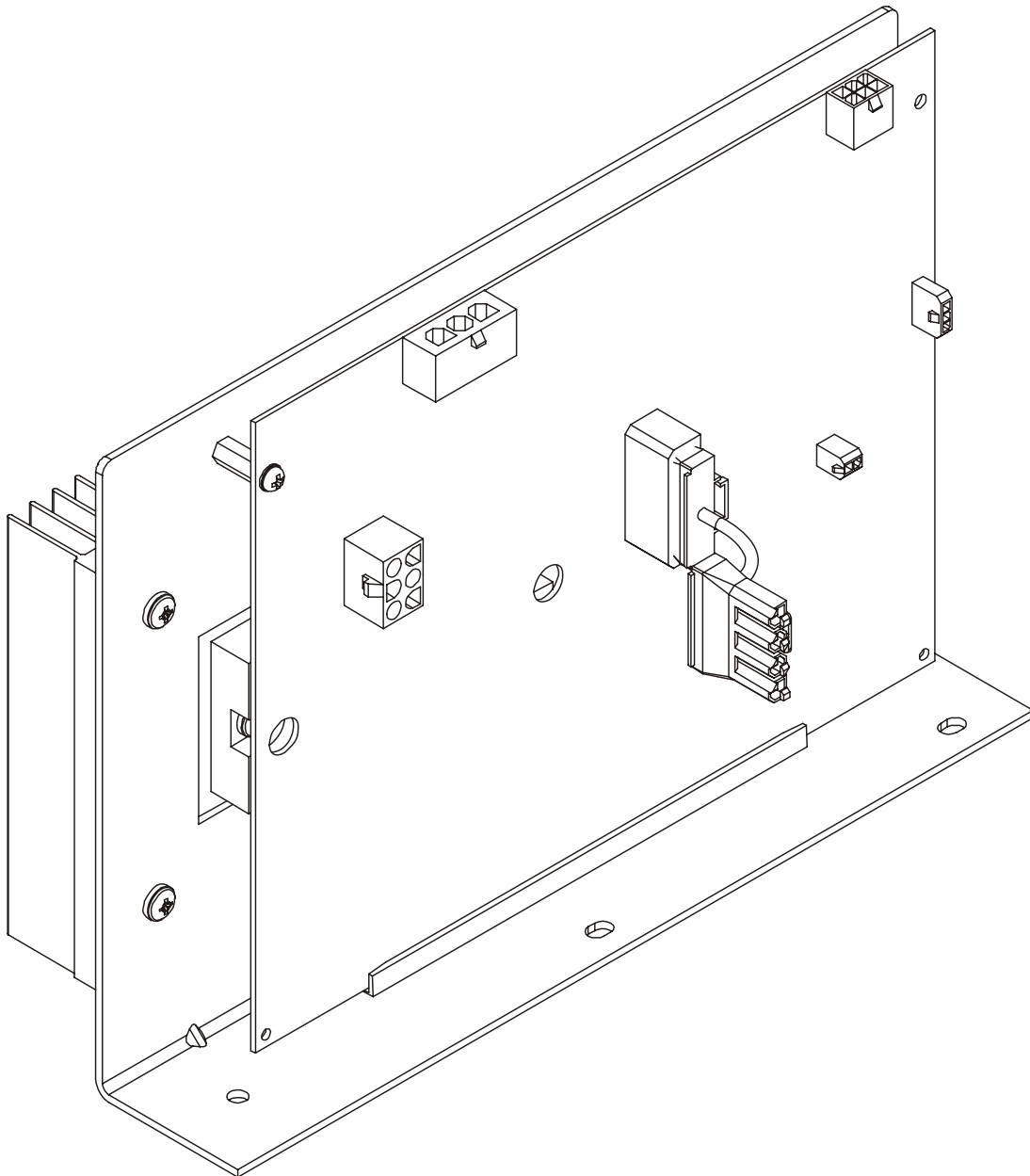


ARCTIC SILVER 93TW ROHR
Wax/Lift Assembly-AK58-00243-0000

93TW-0XXX-04
S/N THJ100000 and up

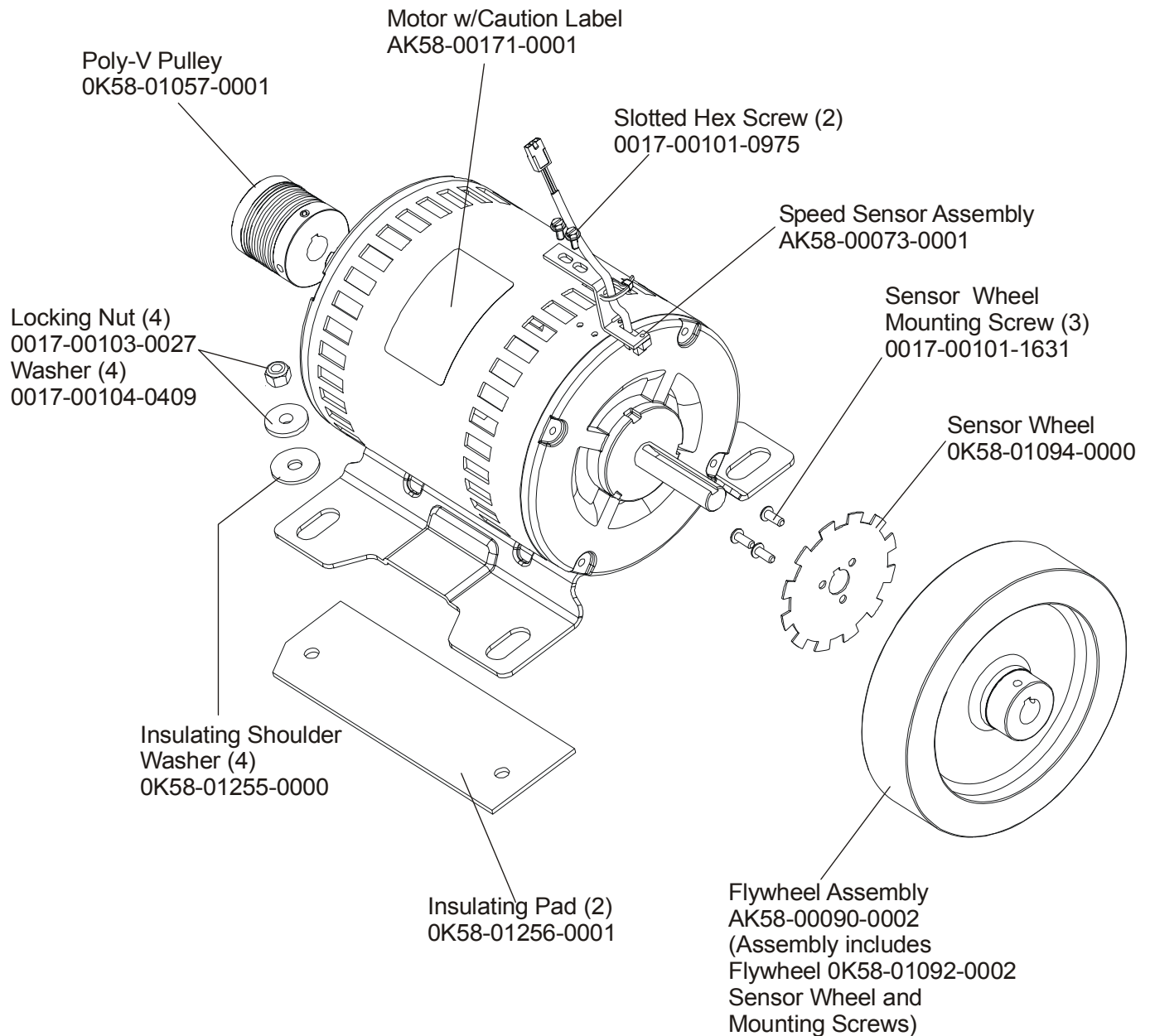


AK60-00171-0000 (100-120V) W/O FERRITE
AK60-00171-0001 (200-240V) W/O FERRITE
AK60-00171-0002 (100-120V) WITH FERRITE
AK60-00171-0003 (200-240V) WITH FERRITE



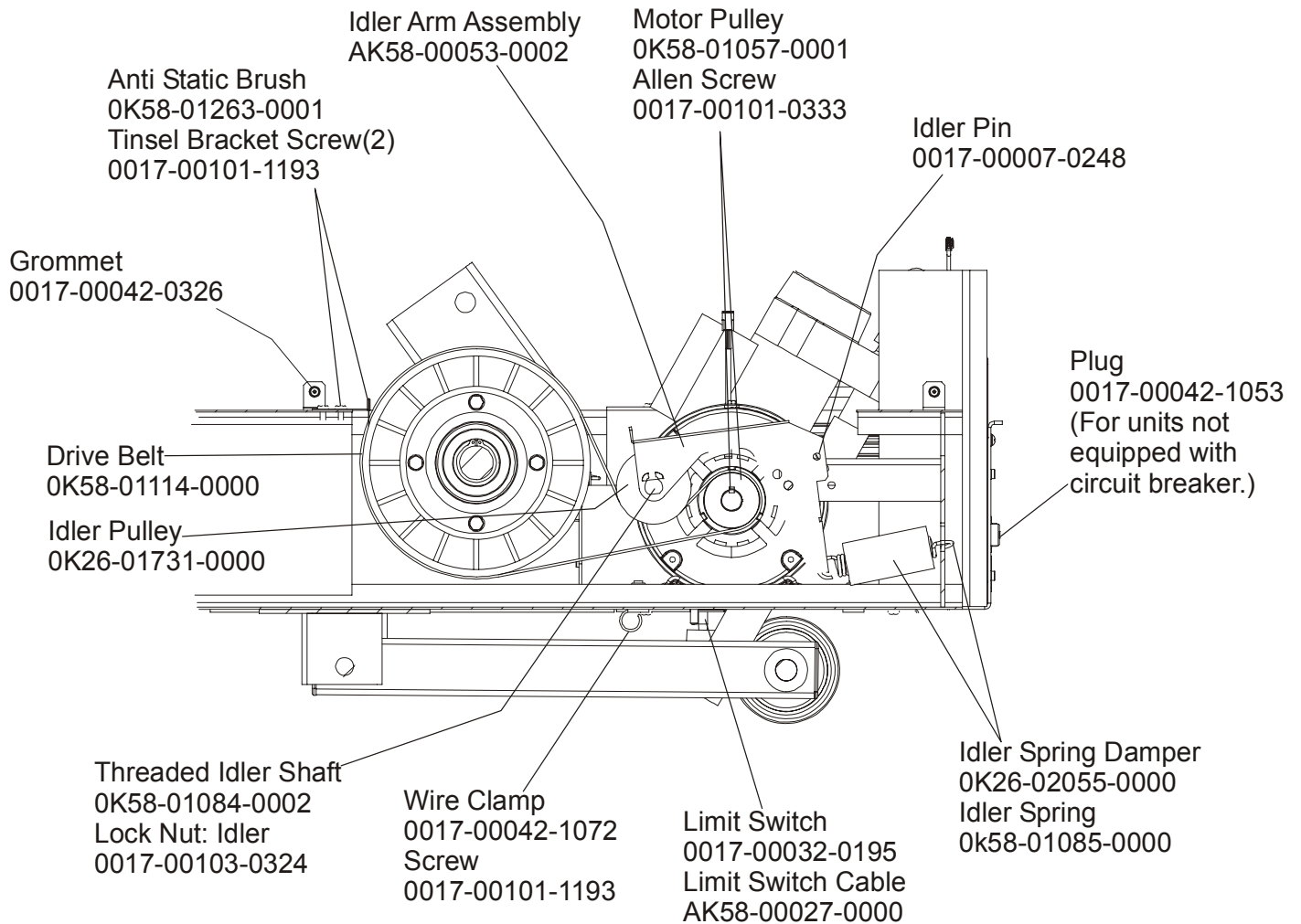
ARCTIC SILVER 93TW ROHR
Drive Motor Assy.

93TW-0XXX-04
S/N THJ100000 and up



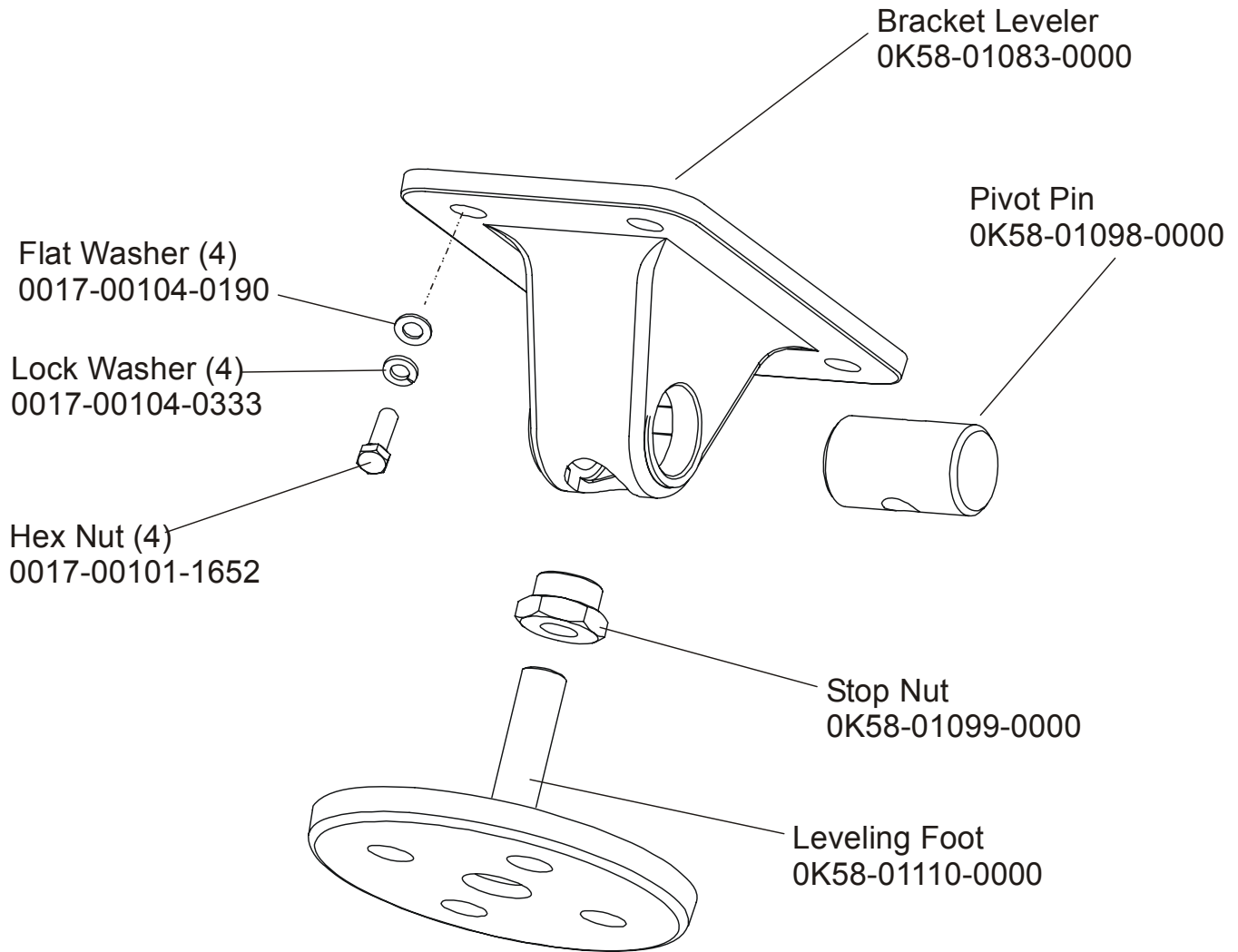
ARCTIC SILVER 93TW ROHR
Idler Arm Assembly and Static Brush

93TW-0XXX-04
S/N THJ100000 and up



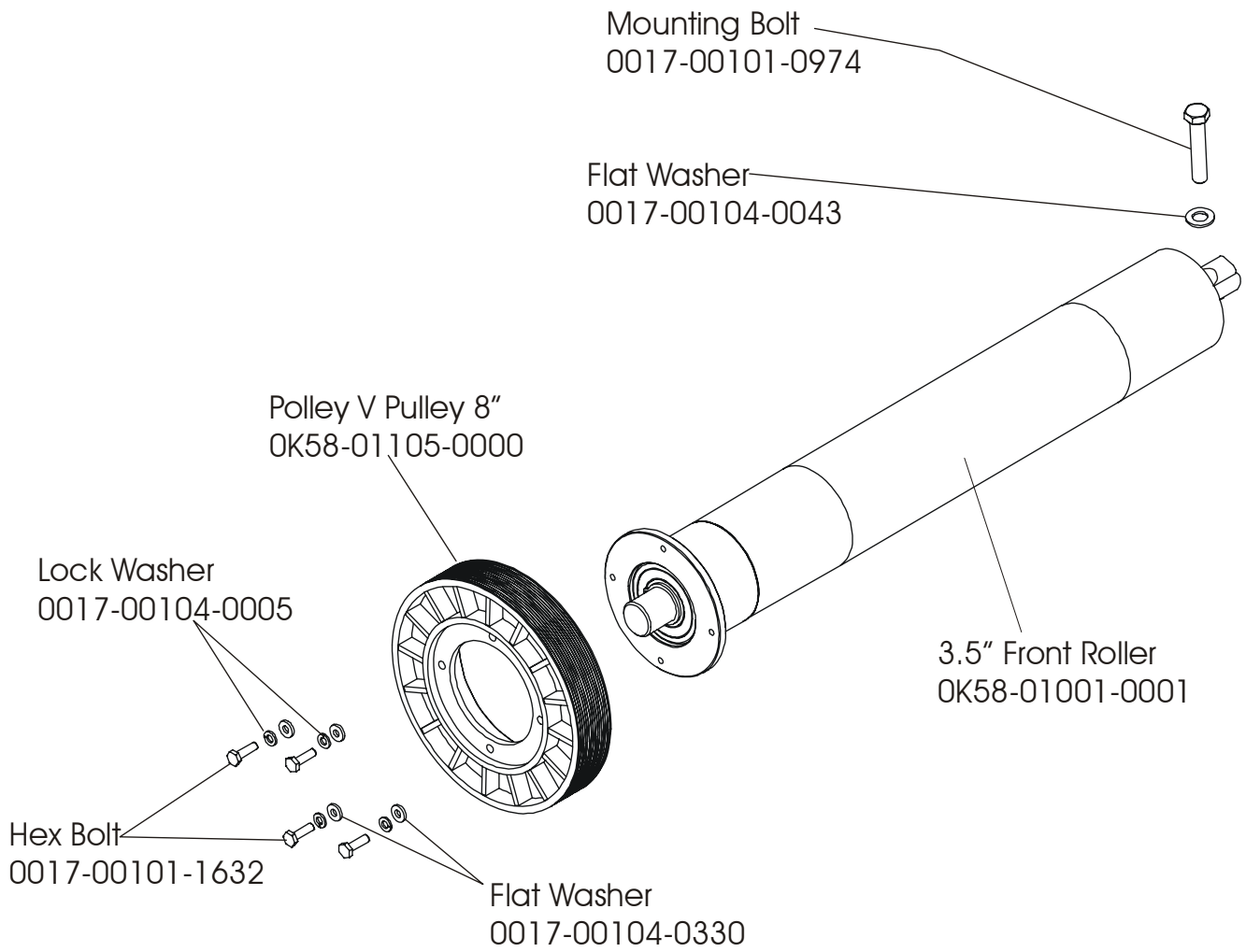
ARCTIC SILVER 93TW ROHR
Leveler Assembly – AK58-00370-0000

93TW-0XXX-04
S/N THJ100000 and up



ARCTIC SILVER 93TW ROHR
Front Roller Assy.-AK58-00066-0000

93TW-0XXX-04
S/N THJ100000 and up

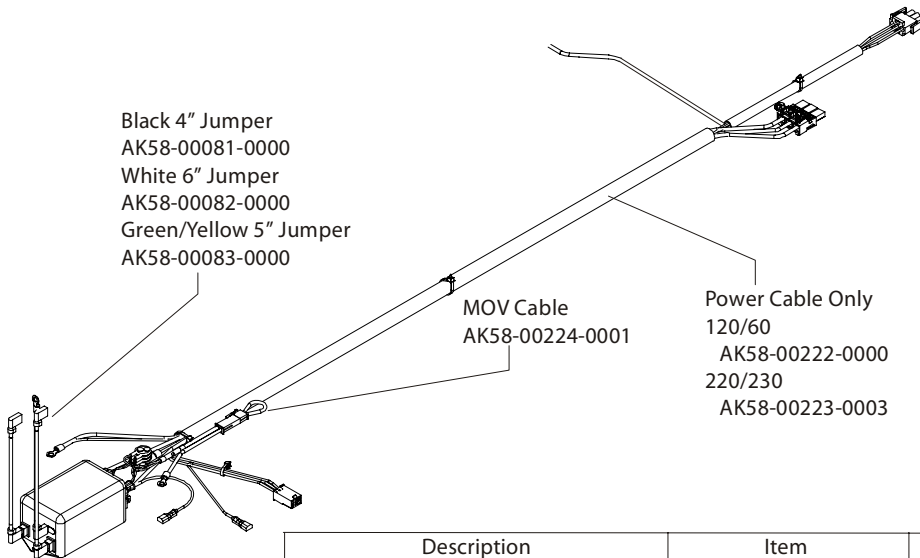
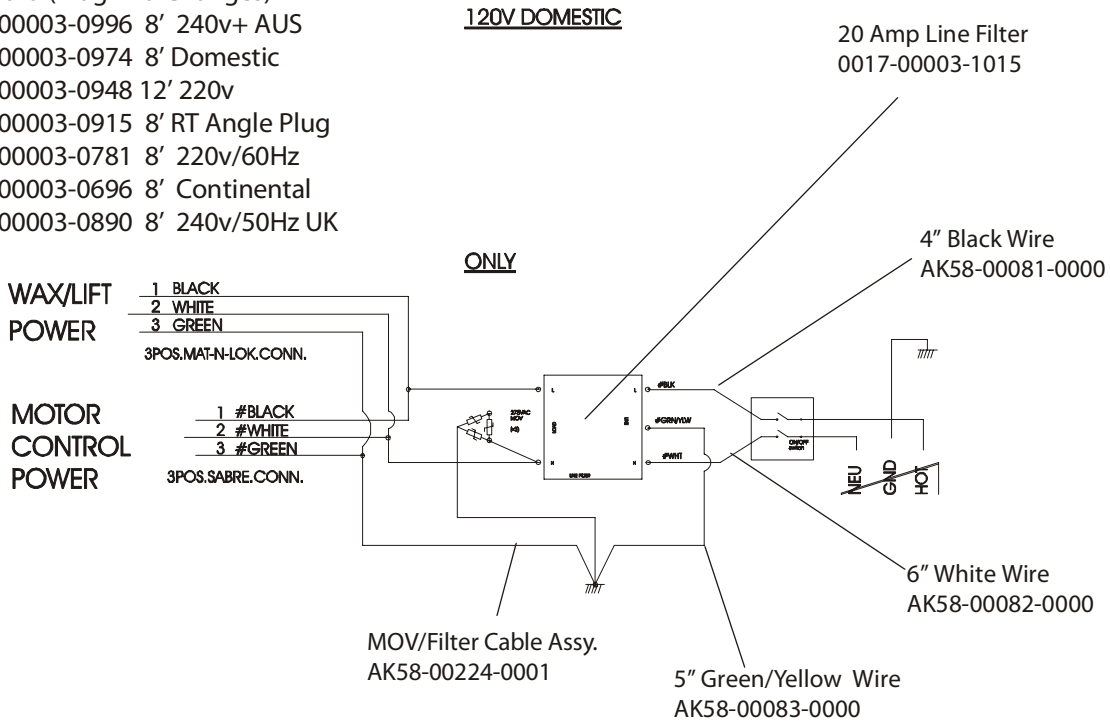


ARCTIC SILVER 93TW ROHR

Power Components Schematic 1

93TW-0XXX-04
S/N THJ100000 and up

- Line Cord (Plug End Changes)
 0017-00003-0996 8' 240v+ AUS
 0017-00003-0974 8' Domestic
 0017-00003-0948 12' 220v
 0017-00003-0915 8' RT Angle Plug
 0017-00003-0781 8' 220v/60Hz
 0017-00003-0696 8' Continental
 0017-00003-0890 8' 240v/50Hz UK



| Description | Item | Item | Item |
|-------------------------------|-----------------|-----------------|-----------------|
| HARNESS-ASSY:MFG;120/60 20A E | 0017-00003-1015 | AK58-00222-0000 | AK58-00265-0001 |
| HARNESS-ASSY:MFG;220/60 20A E | 0017-00003-1015 | AK58-00223-0003 | AK32-00265-0002 |
| HARNESS-ASSY:MFG;230/50 10A E | - | AK58-00223-0003 | AK32-00265-0003 |
| HARNESS-ASSY:MFG;240/50 10A E | - | AK58-00223-0004 | AK32-00265-0004 |
| HARNESS-ASSY:MFG;240V+ 20A E | 0017-00003-1015 | AK58-00223-0004 | AK32-00265-0005 |
| HARNESS-ASSY:MFG;100/50 20A E | 0017-00003-1015 | AK58-00223-0001 | AK32-00265-0006 |
| HARNESS-ASSY:MFG;200/50 20A E | 0017-00003-1015 | AK58-00223-0002 | AK32-00265-0007 |

ARCTIC SILVER 93TW ROHR

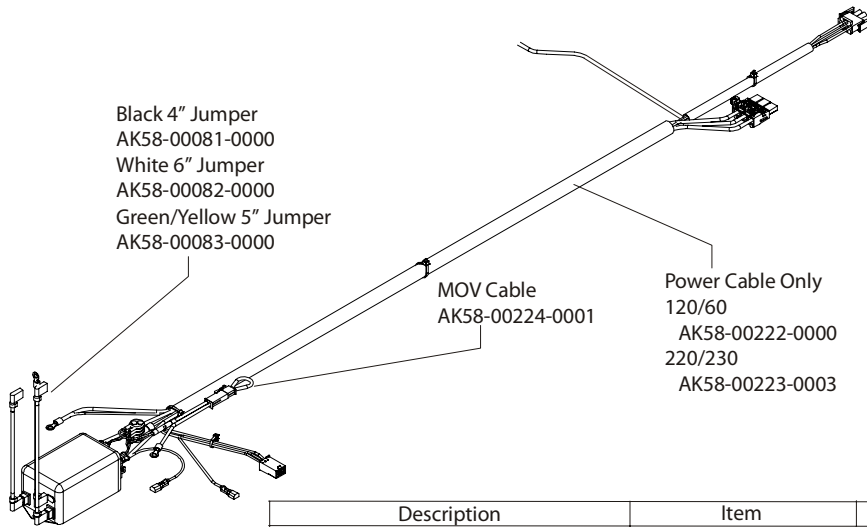
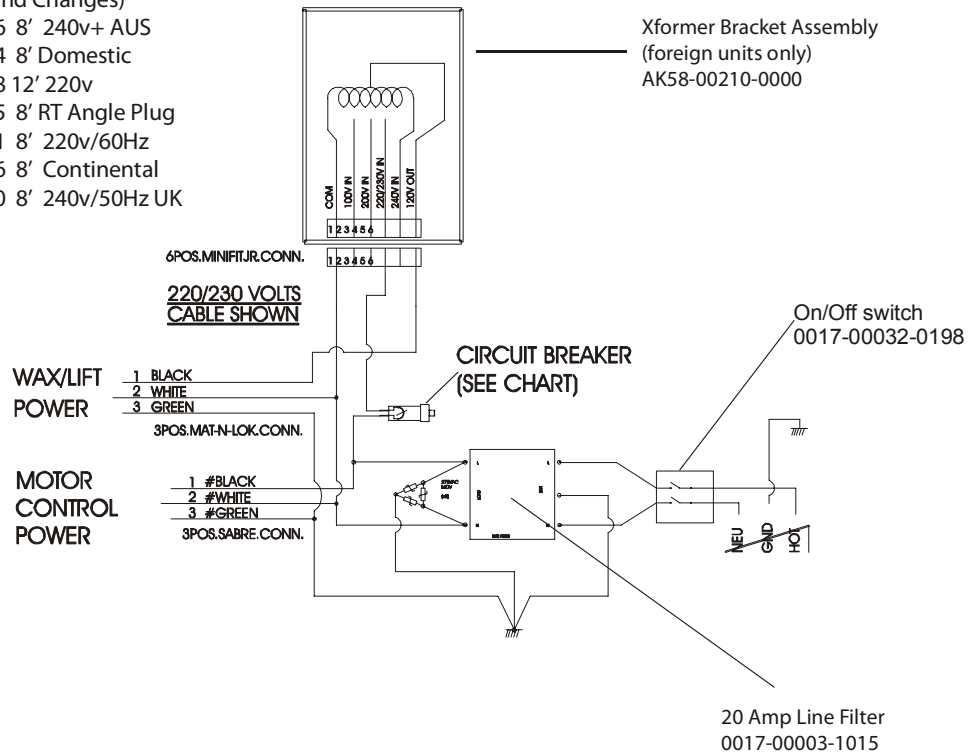
Power Components Schematic 2

93TW-0XXX-04
S/N THJ100000 and up

100V, 200-240V

FOREIGN

- Line Cord (Plug End Changes)
 0017-00003-0996 8' 240v+ AUS
 0017-00003-0974 8' Domestic
 0017-00003-0948 12' 220v
 0017-00003-0915 8' RT Angle Plug
 0017-00003-0781 8' 220v/60Hz
 0017-00003-0696 8' Continental
 0017-00003-0890 8' 240v/50Hz UK



| Description | Item | Item | Item |
|-------------------------------|-----------------|-----------------|-----------------|
| HARNESS-ASSY:MFG;120/60 20A E | 0017-00003-1015 | AK58-00222-0000 | AK58-00265-0001 |
| HARNESS-ASSY:MFG;220/60 20A E | 0017-00003-1015 | AK58-00223-0003 | AK32-00265-0002 |
| HARNESS-ASSY:MFG;230/50 10A E | - | AK58-00223-0003 | AK32-00265-0003 |
| HARNESS-ASSY:MFG;240/50 10A E | - | AK58-00223-0004 | AK32-00265-0004 |
| HARNESS-ASSY:MFG;240V+ 20A E | 0017-00003-1015 | AK58-00223-0004 | AK32-00265-0005 |
| HARNESS-ASSY:MFG;100/50 20A E | 0017-00003-1015 | AK58-00223-0001 | AK32-00265-0006 |
| HARNESS-ASSY:MFG;200/50 20A E | 0017-00003-1015 | AK58-00223-0002 | AK32-00265-0007 |

ARCTIC SILVER 93TW ROHR
Wax/Lift Power Supply

93TW-0XXX-04
S/N THJ100000 and up

For pre-wired units:

120" Coax Cable

AK32-00020-0002

120" Power Extension Cable

AK32-00078-0001

